

Product Detail



Product Line:	Johnson (Click for customer service)
Part Number:	105-0201-200
Description:	Tip Jack - Insulated Metal Clad: Military Type
Product Family:	TIP JACK
Body Material:	Nylon 6/6 per ASTM D4066
Breakdown Voltage:	5700 Vrms min.
Color / Finish:	White
Contact Material:	Beryllium copper over brass
Contact Finish:	Gold
Contact Termination:	Solder
Current:	10 amps
Desc 2:	Military Type
Description:	Insulated Metal Clad
For Use With:	.080 (2.00) Tip Plug
Panel Thickness:	Up to .218 (5.45)

20070523-1523

Tip Jack

Insulated Metal Clad: Military Type



SPECIFICATIONS

Contact: Brass per QQ-B-626D with wrap around beryllium copper spring per QQ-C-533

Finish: Gold

Body: Nylon 6/6 per ASTM D4066

Threaded Brass Jacket: Per QQ-B-626D, nickel plated

Hardware: Nickel plated washer and nut (unassembled)

Panel Thickness: Up to .218 (5.45)

RATINGS

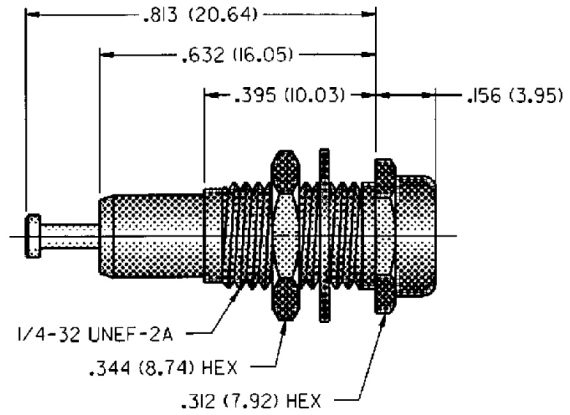
Current: 10 amps

Breakdown Voltage: 5700 Vrms minimum +

Contact Resistance: 0.004 ohms maximum

Contact-To-Panel C: 2 pF nominal

Manufactured to meet MIL-C-39024/10



GOLD PLATING		
JCI PART NO. TO MIL-SPEC. PART NO. CROSS REFERENCE		
PART NO.	COLOR	MIL-C-39024/10
105-0201-200	White	-01

For Standard Tip Plug: .080 (2.00) Diameter

FEATURES:

- Machined contact with turret terminal
- For military or industrial applications
- Closed entry blocks access of probes greater than .085 (2.16)
- Nylon UL approved for self extinguishing